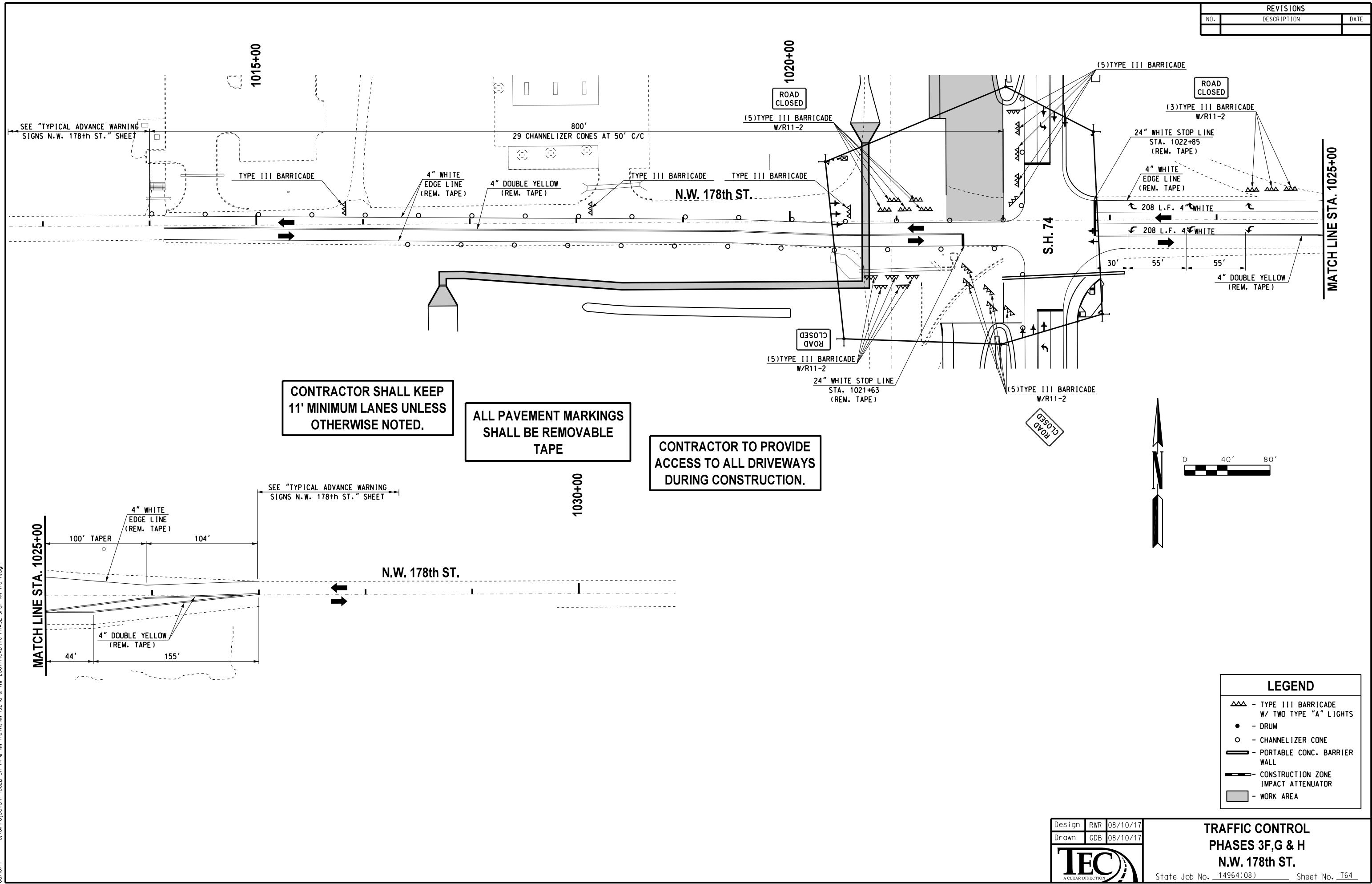


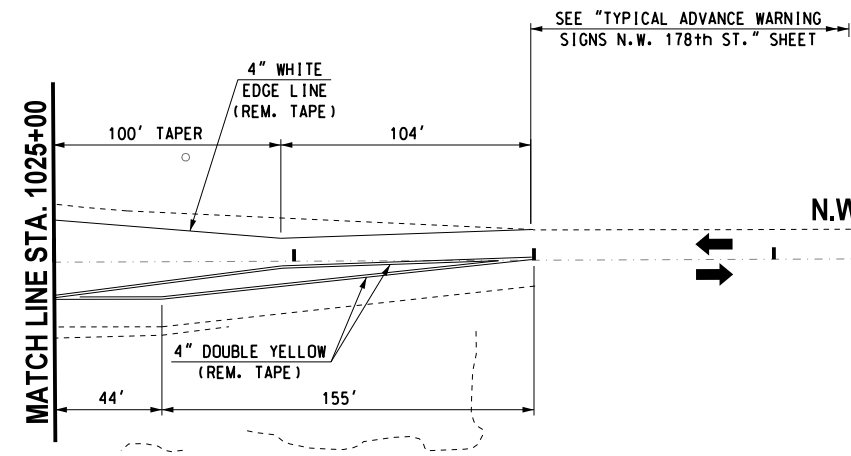
REVISIONS		
NO.	DESCRIPTION	DATE



**CONTRACTOR SHALL KEEP 11' MINIMUM LANES UNLESS OTHERWISE NOTED.**

**ALL PAVEMENT MARKINGS SHALL BE REMOVABLE TAPE**

**CONTRACTOR TO PROVIDE ACCESS TO ALL DRIVEWAYS DURING CONSTRUCTION.**



LEGEND	
△△	- TYPE III BARRICADE W/ TWO TYPE "A" LIGHTS
●	- DRUM
○	- CHANNELIZER CONE
▬	- PORTABLE CONC. BARRIER WALL
▬▬	- CONSTRUCTION ZONE IMPACT ATTENUATOR
■	- WORK AREA

Design	RWR	08/10/17
Drawn	GDB	08/10/17



**TRAFFIC CONTROL PHASES 3F, G & H N.W. 178th ST.**

State Job No. 14964(08) Sheet No. T64

08/10/17 G:\Projects\T-1662B SH 74 @ NW 178th, NW 192nd & NW 206th\CAD\TC PHASE 3F,G,H,NW 178th.dgn